

Service
Service
Service



Service Manual

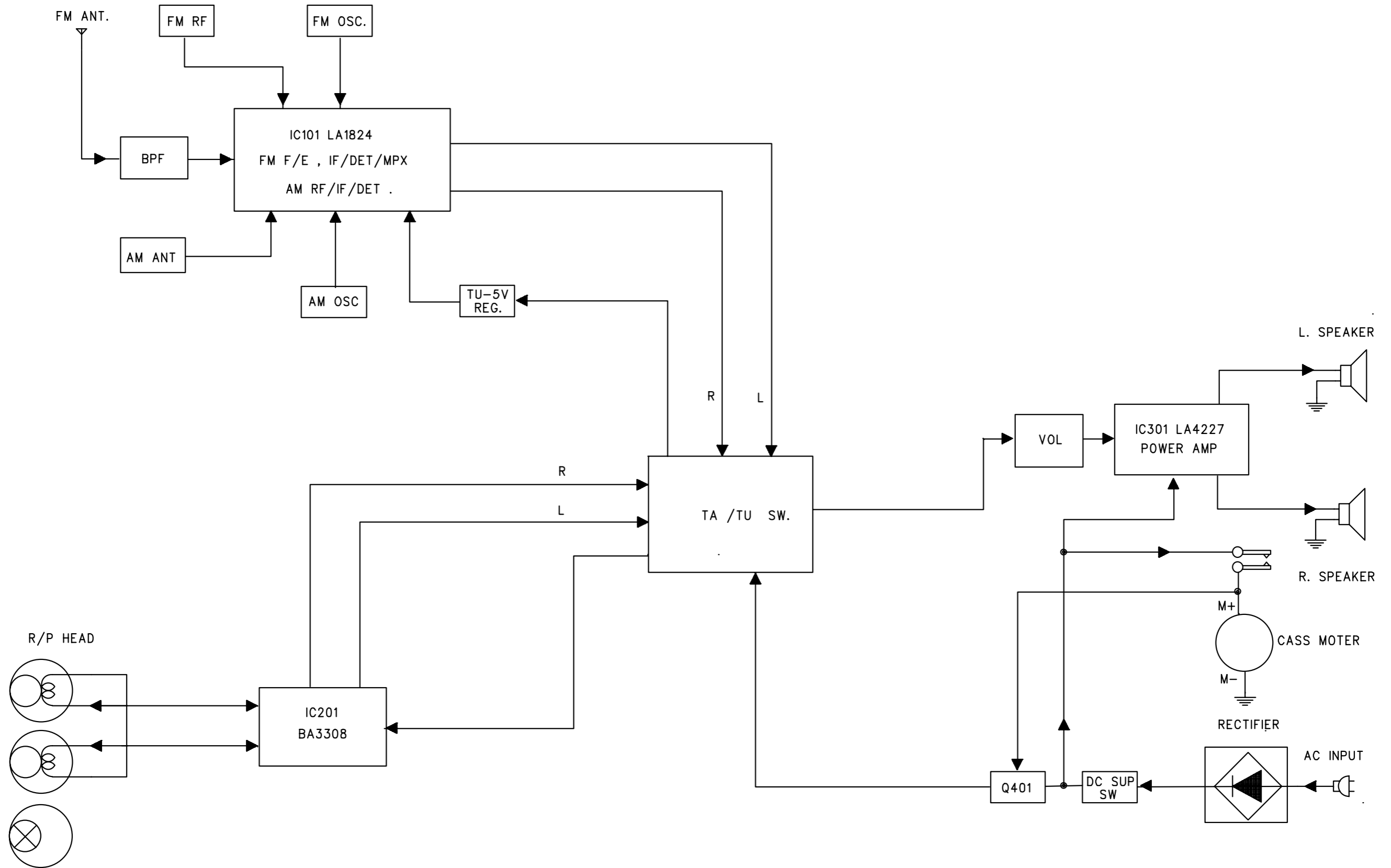
CONTENTS

Block diagram	1-1
Wiring diagram	2-1
Main board	
Circuit diagram	3-1
Layout diagram.....	3-2
Service parts list	4-1

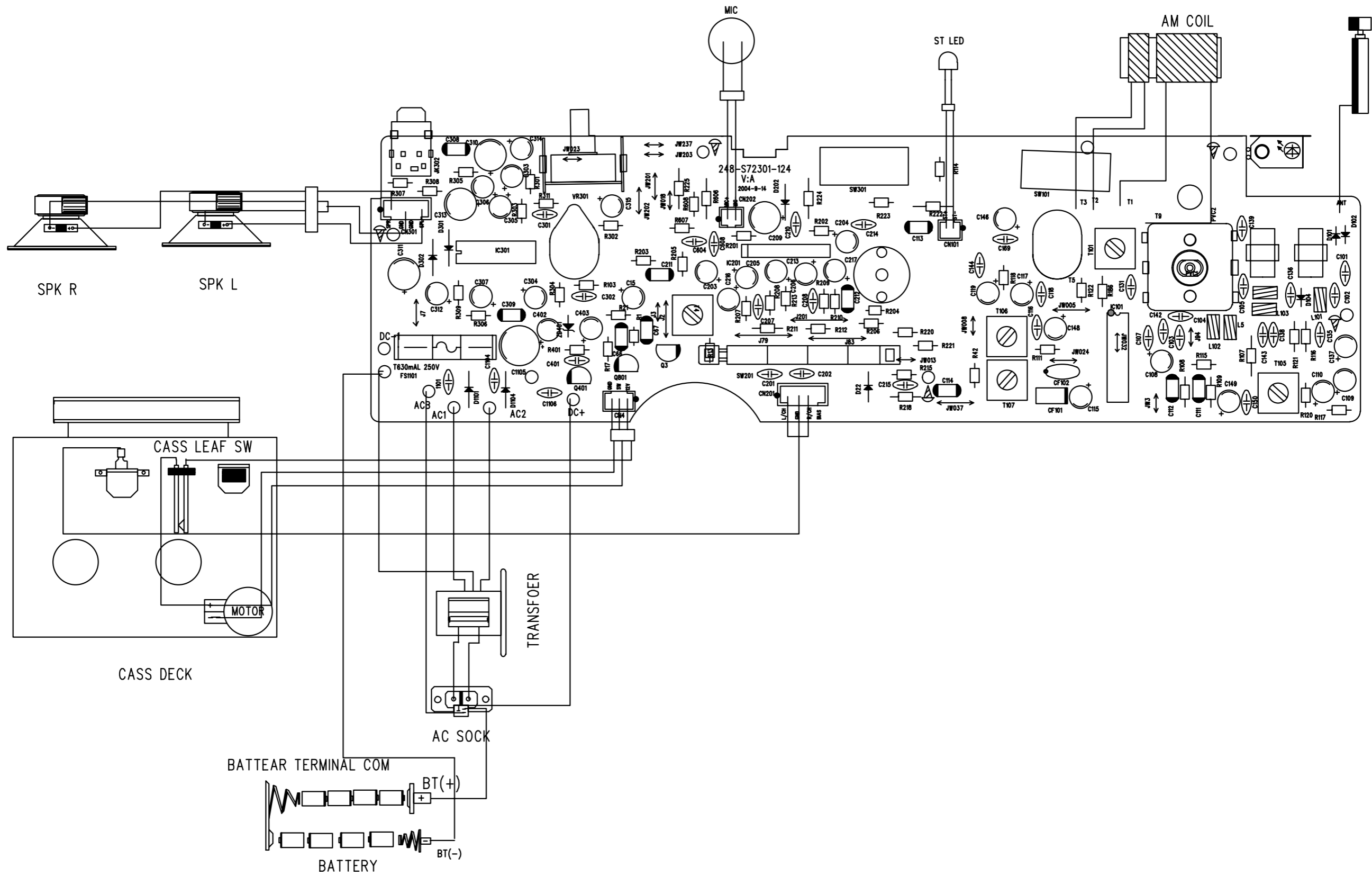
© Copyright 2008 Philips Consumer Electronics B.V. Eindhoven, The Netherlands
All rights reserved. No part of this publication may be reproduced, stored in a retrieval system or transmitted, in any form or by any means, electronic, mechanical, photocopying, or otherwise without the prior permission of Philips.



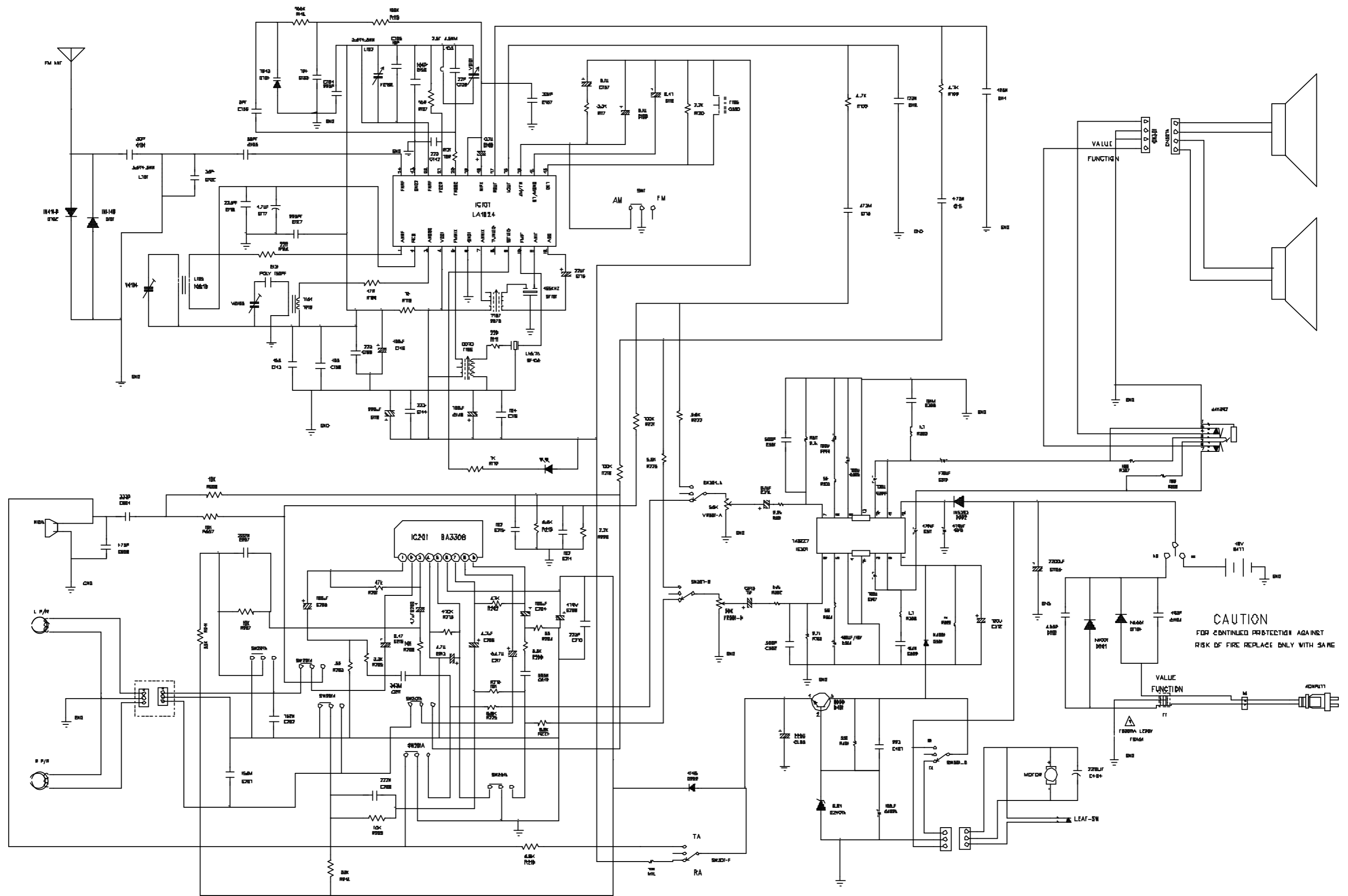
SET BLOCK DIAGRAM



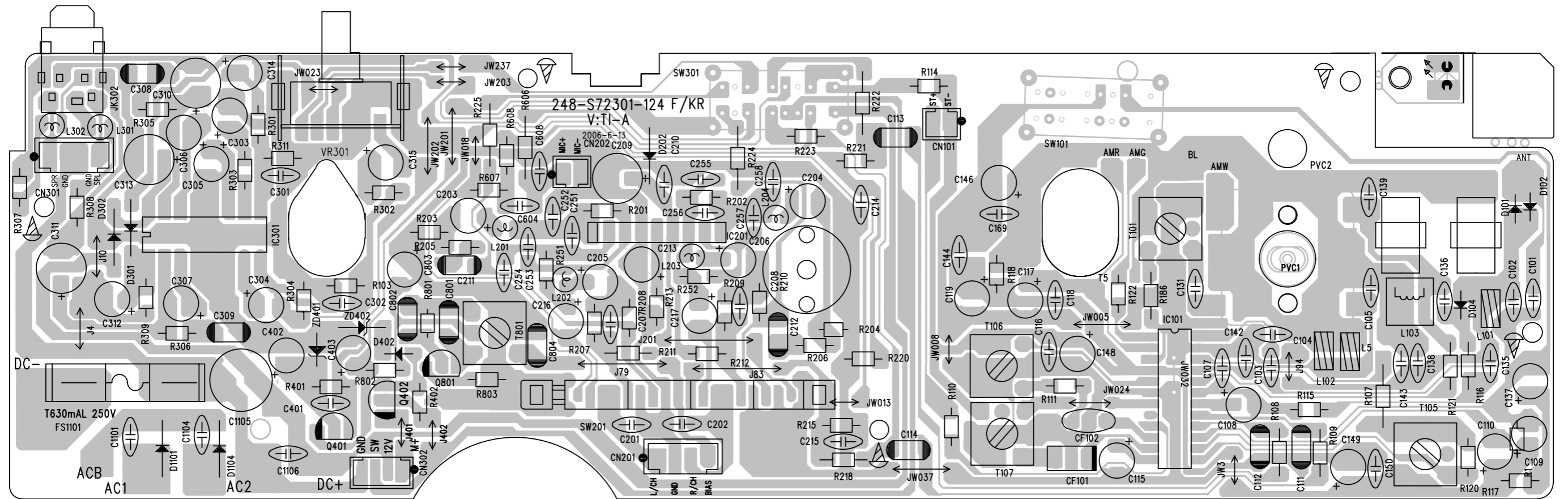
SET WIRING DIAGRAM



CIRCUIT DIAGRAM - MAIN BOARD



LAYOUT DIAGRAM - MAIN BOARD



Service parts list

11	994000001759	CASS DOOR GEAR
12	994000001761	CASS DOOR GEAR HOLDER
13	996510010676	CASS DOOR SPRING
14	996510000793	ROD ANTENNA(TA-36156)
15	996510000795	POWER CORD SET (CCC APPR) BLAC (only for -/93)
15	994000001745	POWER CORD SET (BLACK) VDE (only for -/98)
15	996510012335	POWER CORD SET (BLACK) (only for -/61)
16	996510010677	POWER T.F EI-41 V3922FS (only for -/93/61)
16	994000001926	POWER TRANSFORMER (only for -/98)
17	996510010678	HANDLE
18	996510010679	BATTERY DOOR
21	996510010680	CASS DOOR LENS
22	996510010682	CASS DECK
23	996510010681	CASS DOOR
24	994000001177	SPEAKER 3 1/2" 8OHM 1.5W

Note: Only these parts mentioned in the list are normal service parts.